

THE MORGAN THREE WHEELER CLUB LTD

APPLICATION FOR CLASSIFICATION OF A THREE WHEELER MORGAN WITHIN THE MORGAN THREE WHEELER RACING FORMULA.

Name _____ Date _____
Address _____ Home Phone no. _____
_____ Mobile no. _____
_____ Email address _____

CAR DETAILS: MODEL..... YEAR.....REG NO.

PLEASE STATE WITH WHICH CLASS YOU BELIEVE YOUR MORGAN COMPLIES

STANDARD TOURING MOD RACING

PLEASE SUPPLY TWO RECENT COLOUR PHOTOGRAPHS, ONE SIDE VIEW, ONE FRONT VIEW WITH THIS APPLICATION

DEFINITIONS

ORIGINAL: Means manufactured or supplied by the Morgan factory, at any time from 2012 onwards, appropriate to the date and model of the Morgan.

AS ORIGINAL: Means a replica in terms of dimensions and materials of any part or parts appropriate to the date and model of the Morgan

NOTES ON FILLING IN THIS FORM

1. All measurements are to be made in Metric units (mm) including the bore and stroke/ capacity
2. Please complete the form using CAPITAL LETTERS and TICKING boxes. Please tick only ONE BOX per question.

FOR OFFICIAL USE ONLY

STANDARD

TOURING MOD

If different from the applicant's assessment state reasons:

CLASSIFICATION CONFIRMED

ELIGIBILITY SCRUTINEER: _____ DATE _____

COMPETITION SECRETARY: _____ DATE _____

1. CHASSIS/BODY

1.1 TYPE OF CHASSIS

5 SPEED

ORIGINAL

AS ORIGINAL

MODIFIED

IF MODIFIED PLEASE GIVE DETAILS _____

1.2 CHASSIS DETAILS

GROUND CLEARANCE _____ inches.

DISTANCE BETWEEN CENTRES OF CENTREPINS _____ inches

2.3 PLEASE GIVE DETAILS OF ANY ADDITIONAL STRUTS, WEBS OR TIE BARS ADDED TO THE CHASSIS _____

1.3 BODY TYPE _____

ORIGINAL

AS ORIGINAL

MODIFIED

IF MODIFIED PLEASE GIVE DETAILS _____

1.4 MATERIAL OF FRAMEWORK

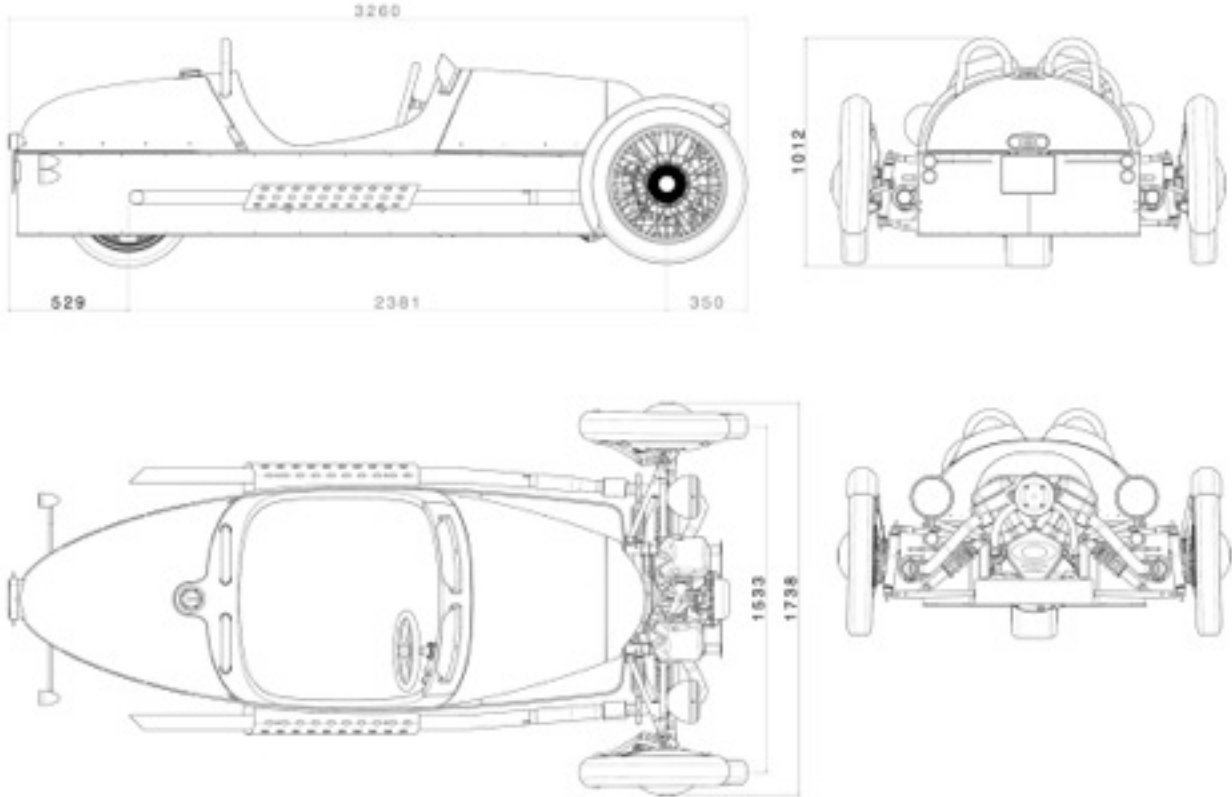
ORIGINAL

AS ORIGINAL

MODIFIED

IF MODIFIED PLEASE GIVE DETAILS _____

5. BODY DIMENSIONS



1.6 FIXING OF BODY TO CHASSIS ORIGINAL AS ORIGINAL MODIFIED

IF MODIFIED PLEASE GIVE DETAILS _____

1.7 FUEL AND OIL TANKS ORIGINAL AS ORIGINAL MODIFIED

IF MODIFIED STATE: FUEL CAPACITY _____ Litres OIL TANK CAPACITY _____ Litres

FUEL TANK LOCATION _____ OIL TANK LOCATION _____

1.8 WINDSCREEN ORIGINAL AS ORIGINAL MODIFIED

IF MODIFIED PLEASE GIVE DETAILS _____

1.9 DASHBOARD ORIGINAL AS ORIGINAL MODIFIED

IF MODIFIED PLEASE GIVE DETAILS _____

1.10 TRIM ORIGINAL AS ORIGINAL MODIFIED

1.11 MUDGUARDS ORIGINAL AS ORIGINAL MODIFIED

IF MODIFIED PLEASE GIVE DETAILS _____

2. STEERING

2.1 STEERING WHEEL ORIGINAL AS ORIGINAL MODIFIED

IF MODIFIED PLEASE GIVE DETAILS _____

2.2 STEERING COLUMN ORIGINAL AS ORIGINAL MODIFIED

IF MODIFIED PLEASE GIVE DETAILS _____

2.3 STEERING RACK ORIGINAL AS ORIGINAL MODIFIED

IF MODIFIED PLEASE GIVE DETAILS _____

2.4 TRACK ROD ORIGINAL AS ORIGINAL MODIFIED

IF MODIFIED PLEASE GIVE DETAILS _____

2.5 TRACK ROD ENDS ORIGINAL AS ORIGINAL MODIFIED

IF MODIFIED PLEASE GIVE DETAILS _____

3. SUSPENSION AND WHEELS

3.1 FRONT SPRINGS ORIGINAL AS ORIGINAL MODIFIED

IF MODIFIED PLEASE GIVE DETAILS _____

3.2 FRONT DAMPERS ORIGINAL AS ORIGINAL MODIFIED

IF MODIFIED PLEASE GIVE DETAILS _____

3.4 FRONT WHEELS ORIGINAL AS ORIGINAL MODIFIED

IF MODIFIED PLEASE GIVE DETAILS _____

3.5 FRONT HUBS ORIGINAL AS ORIGINAL MODIFIED

IF MODIFIED PLEASE GIVE DETAILS INCLUDING MAKE OF DONOR VEHICLE

3.6 REAR WHEEL ORIGINAL AS ORIGINAL MODIFIED

IF MODIFIED PLEASE GIVE DETAILS _____

3.7 REAR HUB ORIGINAL AS ORIGINAL MODIFIED

IF MODIFIED PLEASE GIVE DETAILS _____

3.8 REAR SPRINGS ORIGINAL AS ORIGINAL MODIFIED

IF MODIFIED PLEASE GIVE DETAILS _____

3.9 REAR DAMPERS ORIGINAL AS ORIGINAL MODIFIED

IF MODIFIED PLEASE GIVE DETAILS _____

4. BRAKES

4.1 FRONT BRAKES ORIGINAL AS ORIGINAL MODIFIED

IF MODIFIED PLEASE GIVE DETAILS INCLUDING MAKE OF DONOR VEHICLE _____

4.2 REAR BRAKE ORIGINAL AS ORIGINAL MODIFIED

IF MODIFIED PLEASE GIVE DETAILS _____

5. ENGINE

5.1 ENGINE

MAKE _____ TYPE (S & S) _____ CAPACITY _____ c.c.

NOMINAL BORE _____ mm. NOMINAL STROKE _____ mm. OVERBORE _____ thou.

ENGINE ORIGINAL AS ORIGINAL MODIFIED

5.2 THROTTLE BODY

SIZE _____
ORIGINAL AS ORIGINAL MODIFIED

IF MODIFIED PLEASE GIVE DETAILS _____

5.3 ELECTRONIC CONTROL UNIT

ECU ORIGINAL AS ORIGINAL MODIFIED

IF MODIFIED PLEASE GIVE DETAILS ie STAGE 2 or STAGE 3

5.4 FUEL **WAYSIDE PUMP FUEL** _____ **OTHER** _____

5.5 CLUTCH ORIGINAL AS ORIGINAL MODIFIED

IF MODIFIED PLEASE GIVE DETAILS _____

6. TRANSMISSION

6.1 GEAR/BVLBOX SHELL ORIGINAL AS ORIGINAL MODIFIED

IF MODIFIED PLEASE GIVE DETAILS _____

7. ACCELERATOR

7.1 LEVER / PEDAL ORIGINAL AS ORIGINAL MODIFIED

IF MODIFIED PLEASE GIVE DETAILS _____

8. ELECTRICAL SYSTEM

8.1 BATTERY AND WIRING

FITTED AND WORKING

NOT FITTED

8.3 LIGHTS

ORIGINAL

AS ORIGINAL

MODIFIED

NOT FITTED

IF MODIFIED PLEASE GIVE DETAILS _____

9. EXHAUST AND SILENCERS

ORIGINAL

AS ORIGINAL

MODIFIED

IF MODIFIED PLEASE GIVE DETAILS _____

Please give a brief history of the vehicle, (past owners, exploits, achievements etc) Racing history, if any, plus any other information which may be of help or interest.

Please continue on a separate sheet of paper if necessary